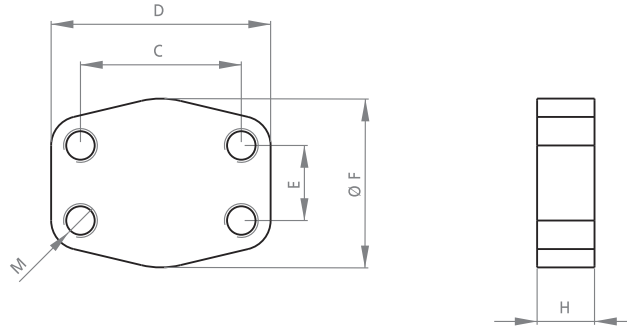




# SAE O-RINGSİZ KILAVUZLU KÖR FLANŞ

# SAE BLIND KEYED FLANGE MOUNTING WITHOUT O-RING



## SAEK 3000 PSI

KOD CODE	S.A.E	C	D	E	F	H	M
SAEK 3001	1/2"	38.1	56	17.48	48	16	M 8
SAEK 3002	3/4"	47.63	65	22.23	50	16	M 10
SAEK 3003	1"	52.37	70	26.19	60	19	M 10
SAEK 3004	1-1/4"	58.72	79	30.18	68	18	M 10
SAEK 3005	1-1/2"	69.85	93	35.71	78	20	M 12
SAEK 3006	2"	77.77	102	42.88	90	20	M 12
SAEK 3007	2-1/2"	88.9	114	50.8	105	20	M 12
SAEK 3008	3"	106.38	134	61.93	124	24	M 16
SAEK 3009	3-1/2"	120.65	152	69.85	136	22	M 16
SAEK 3010	4"	130.18	162	77.77	146	25	M 16
SAEK 3011	5"	152.4	190	92.08	170	28	M 16

## SAEK 6000 PSI

KOD CODE	S.A.E	C	D	E	F	H	M
SAEK 6001	1/2"	40.49	56	18.24	48	16	M 8
SAEK 6002	3/4"	50.8	71	23.8	60	19	M 10
SAEK 6003	1"	57.15	81	27.76	70	24	M 12
SAEK 6004	1-1/4"	66.68	95	31.75	78	27	M 14
SAEK 6005	1-1/2"	79.38	112	36.5	94	30	M 16
SAEK 6006	2"	96.82	134	44.45	114	28	M 20
SAEK 6007	2-1/2"	123.8	180	58.8	150	45	M 24
SAEK 6008	3"	152.4	208	71.4	178	50	M 30